

Description

The Basic Bare Board Loader separates PCBs from a stack and feeds them to the production line, by dropping the bottom PCB onto a conveyor belt. The magazine stack height is 90 mm, new PCBs can be added on the top of the stack without stopping the system.

The powder coated steel frame ensures process stability and excellent durability.

Features

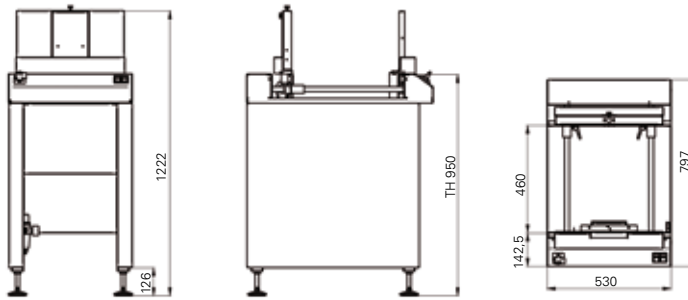
- _ Pneumatic side clamping head
- _ Start / Stop push button
- _ Anti-static conveyor belts
- _ SMEMA Interface

Options

- _ Transport height 850 mm ± 50 mm
- _ Electrical width adjustment
- _ Pass through mode



Basic Series



BDS 01 Basic Bare Board Destacker

ASYS Handling Equipment - Basic Series

Basic Series

BDS 01

Machine Configuration

Transport height	950 mm ± 50 mm
Max. transport width	460 mm
Interface	SMEMA
Transfer direction	from left to right
Operating side	Front of the machine
Fixed rail	Front of the machine

Panel Dimensions

Panel length	50 to 460 mm
Panel width	50 to 460 mm
Panel thickness	0.8 to 4.5 mm
Component clearance	+15 / -40 mm
Max. Stack height	200 mm
Panel weight	to 3 kg

Installation Requirements

Power supply	230 V / 115 V, 50 / 60 Hz, ± 10%
Power supply system	L1 + N + PE
Power consumption	0,15 kW
Air supply	6 bar
Air consumption	12 NI/min

Machine Description

Length x Width x Height	530 x 797 x 1222 mm
Color ^{a)}	Basic Light
Noise Level	< 75 dB

Upgrades

Control panel T70
 Additional interface protocol
 Automatic width adjustment ^{b)}
 Machine networking via IC Net

a) RAL colors at a surcharge
 b) only with control panel T70

www.asys-group.com

ASYS Automatisierungssysteme GmbH
 Benzstraße 10, D-89160 Dornstadt
 Germany
 Tel. (+49) 7348 9855 0
 Fax (+49) 7348 9855 91
 info@asys.de

ASYS Group Asia Pte Ltd
 30 Shaw Road #01-02/03
 Singapore 367957
 Tel. (+65) 6280 8887
 Fax (+65) 6858 5005
 sales@asysgroup-asia.com

ASYS Inc.
 140 Satellite Boulevard NE
 Suite B1, Suwanee
 GA 30024 USA
 Tel. (+1) 770 246 9706
 Fax (+1) 770 246 9866
 info@asys-group.com

Subject to change without notice.
 Some general descriptions and performance characteristics may not be applicable to all products. Technical specifications are subject to change without notice. Only features and technical data provided in purchasing contract are legally binding.

Printed in Germany