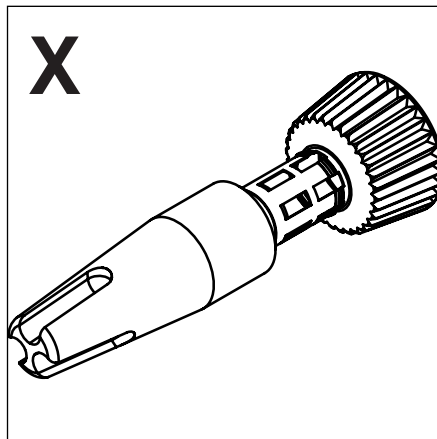
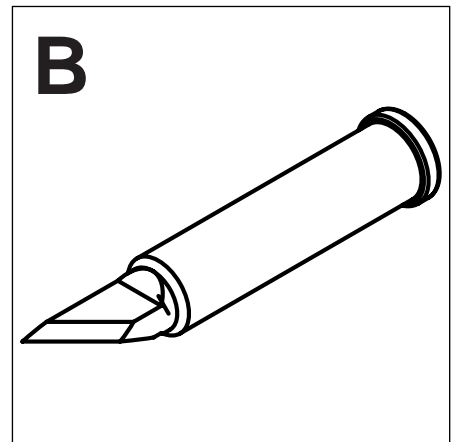
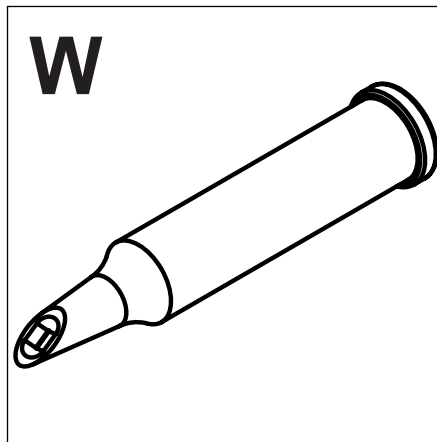
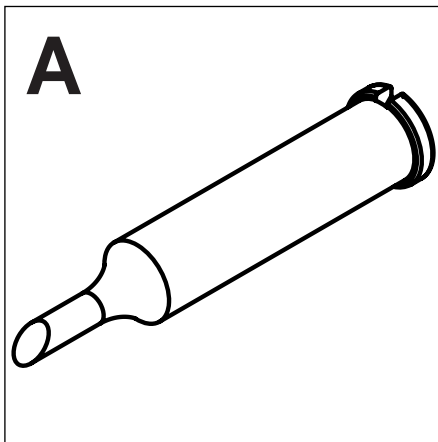
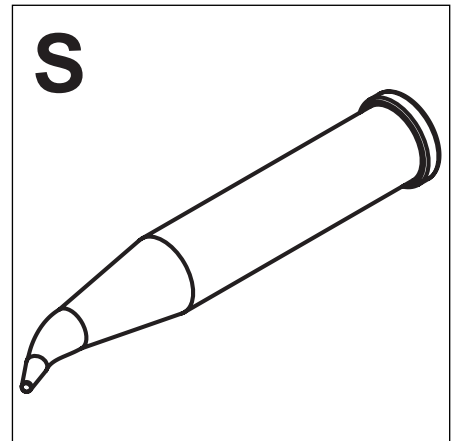
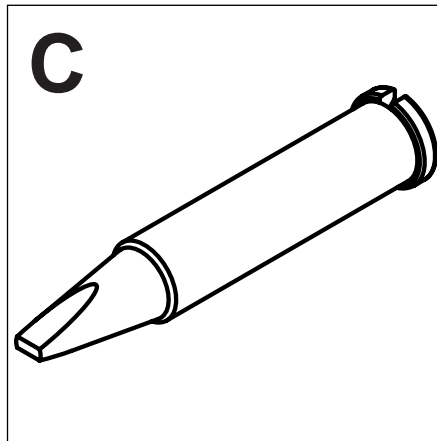
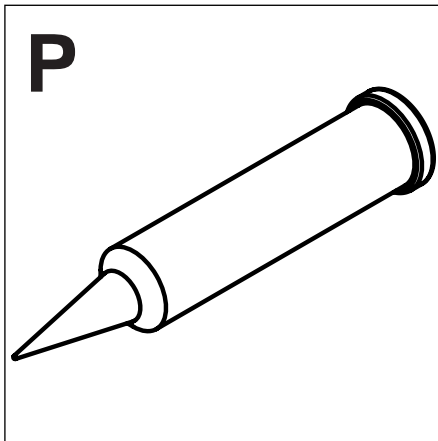


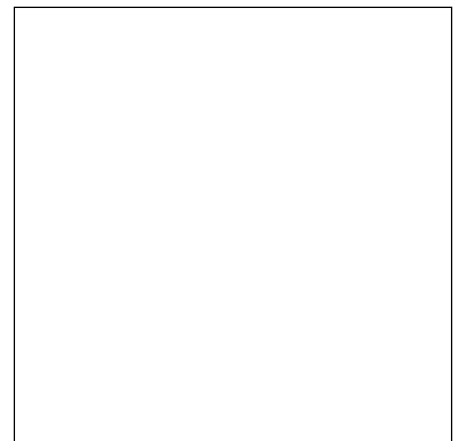
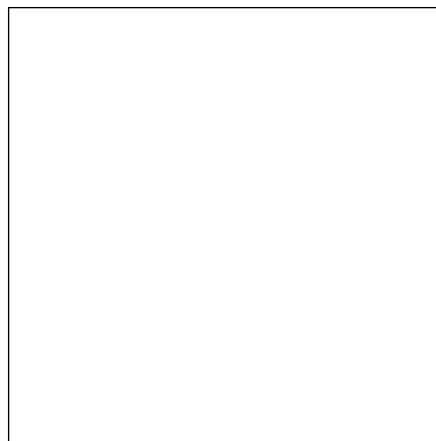
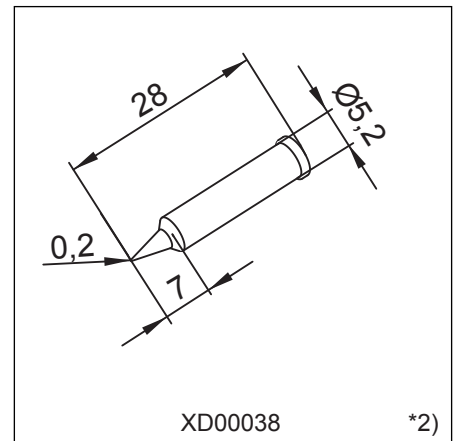
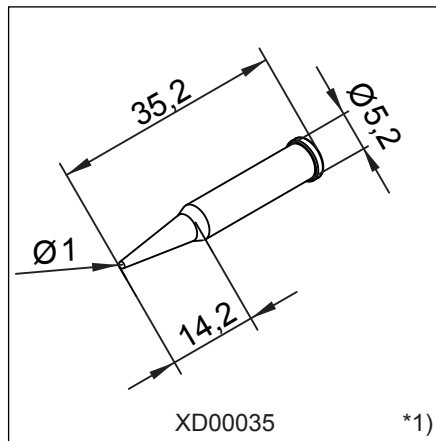
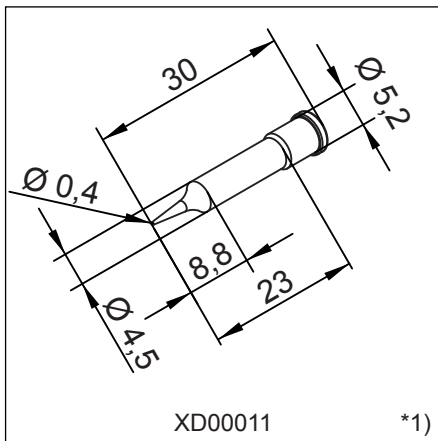
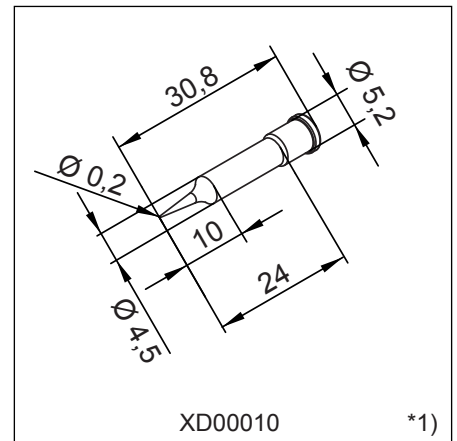
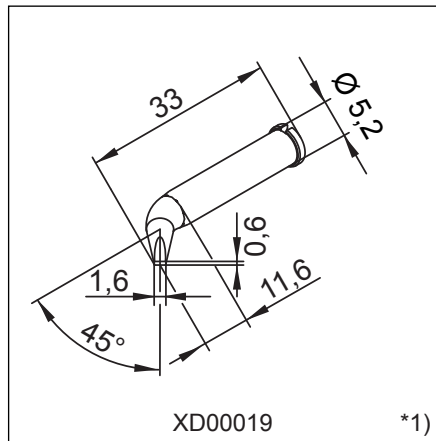
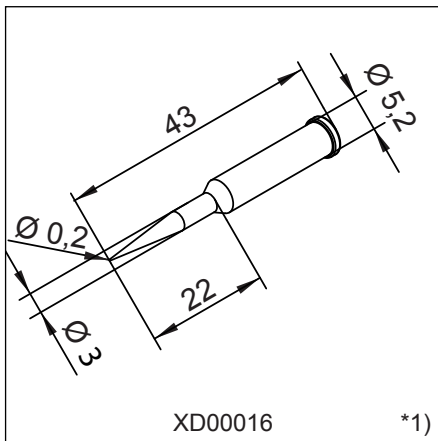
i-Tips Special



i These are non-standard tips and are not available in stock. Price and delivery time upon request!

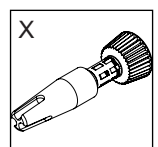
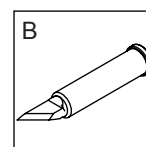
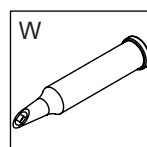
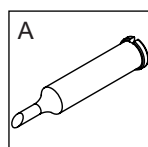
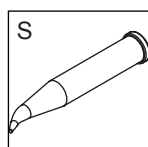
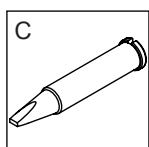


i-Tips P Special

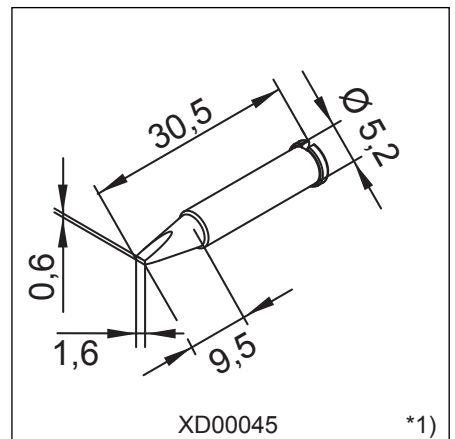
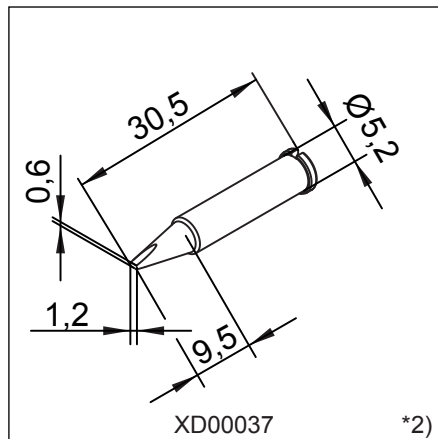
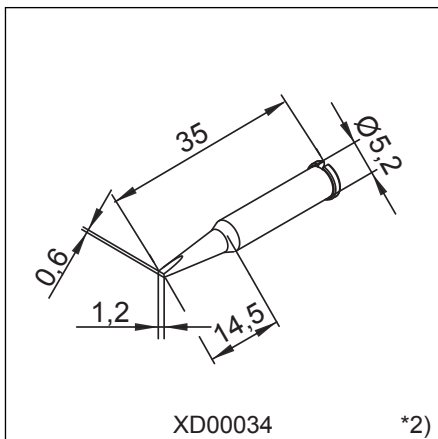
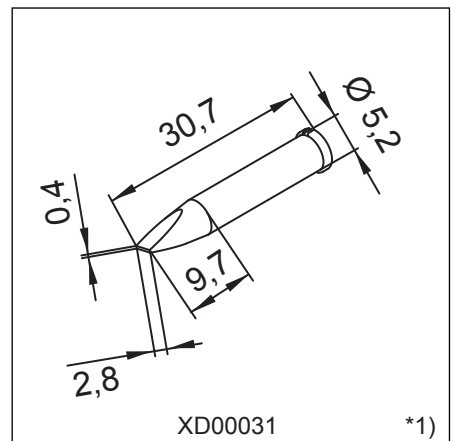
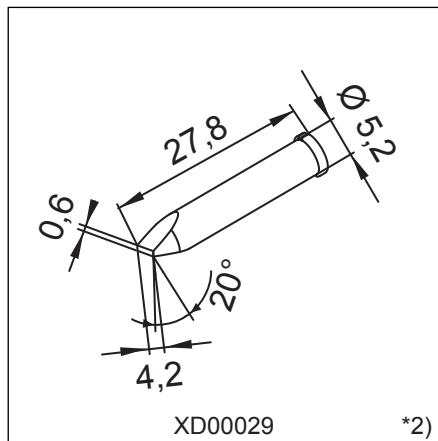
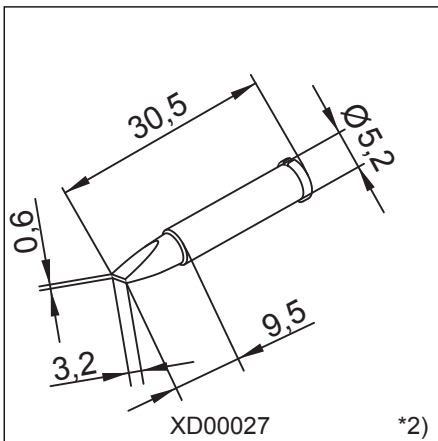
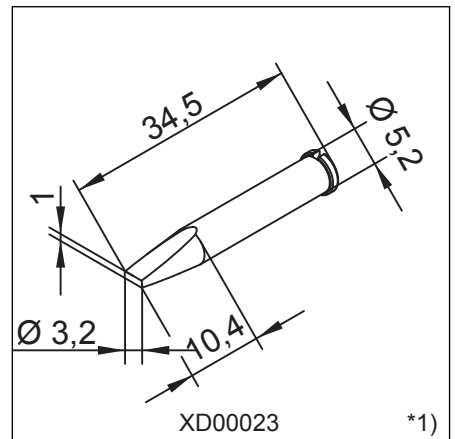
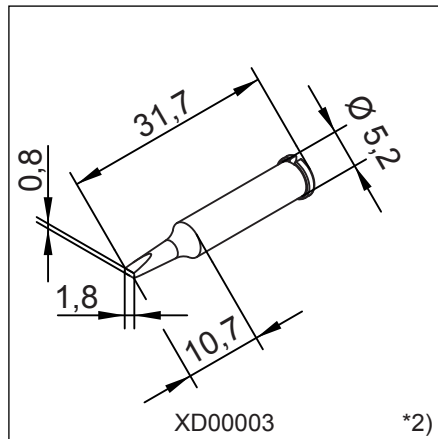
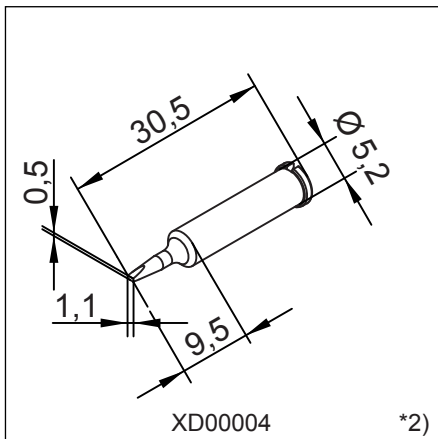


*1) design drawing complete and tip has been tested

*2) design drawing complete and tip has not been tested

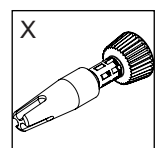
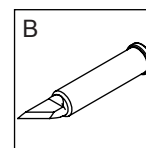
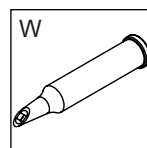
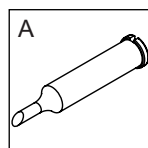
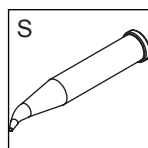
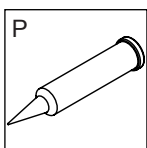


i-Tips C Special

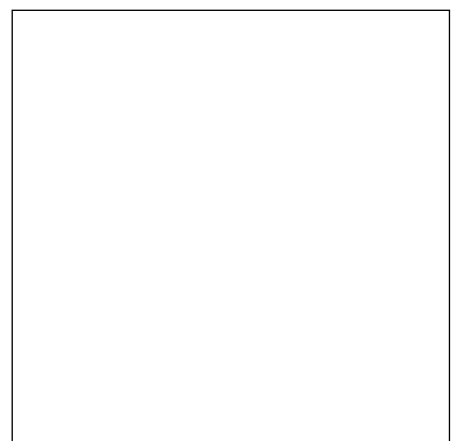
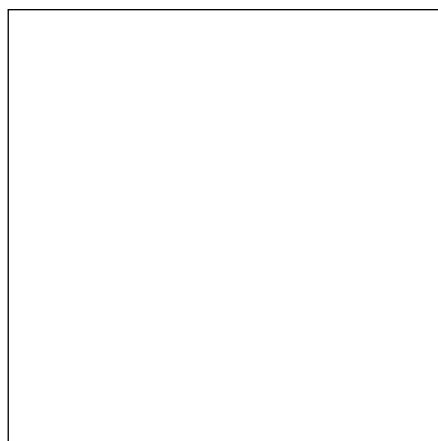
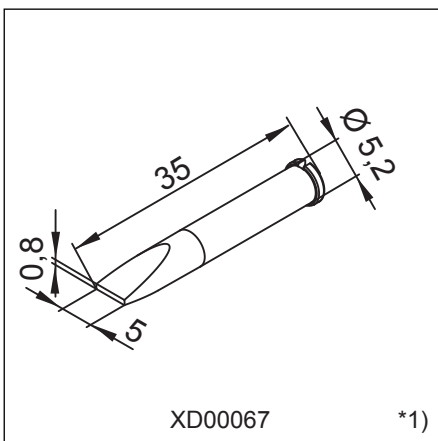
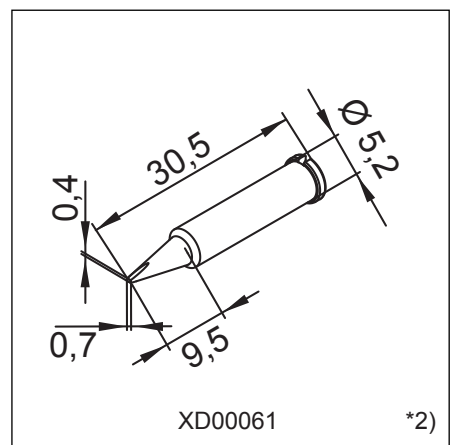
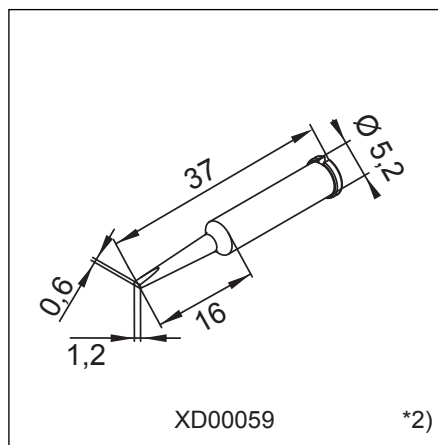
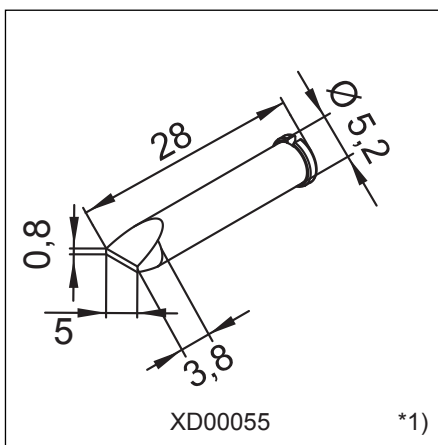
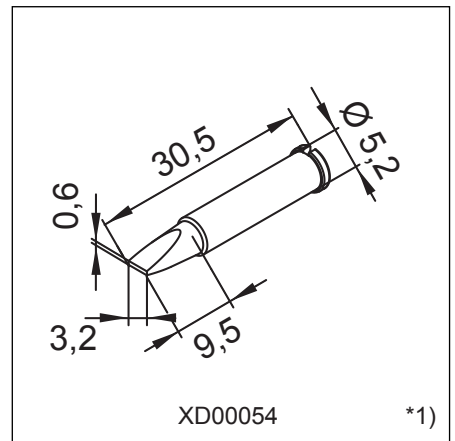
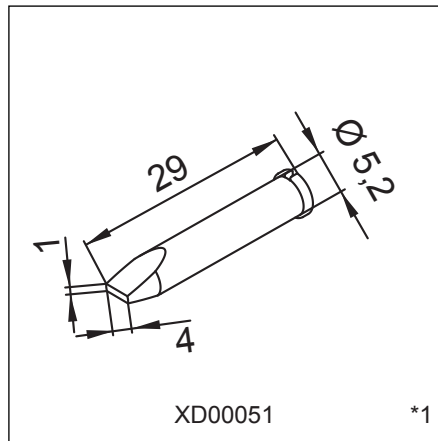
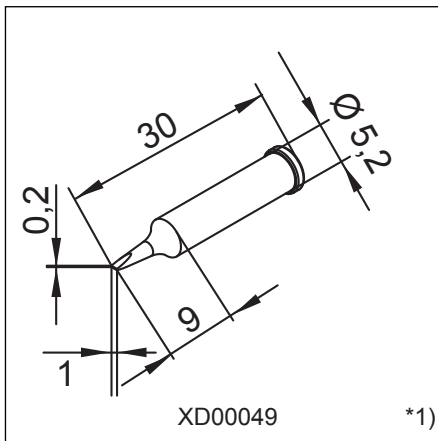


*1) design drawing complete and tip has been tested

*2) design drawing complete and tip has not been tested

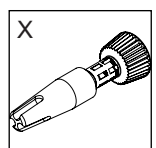
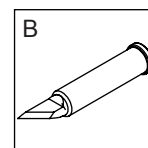
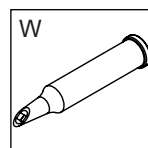
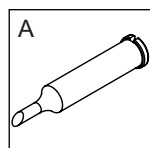
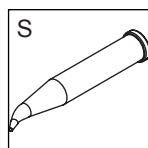
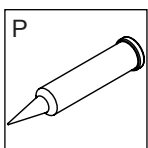


i-Tips C Special

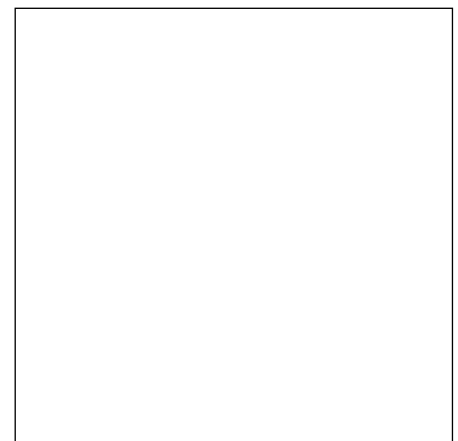
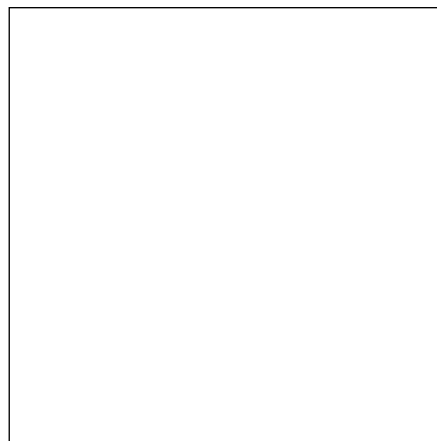
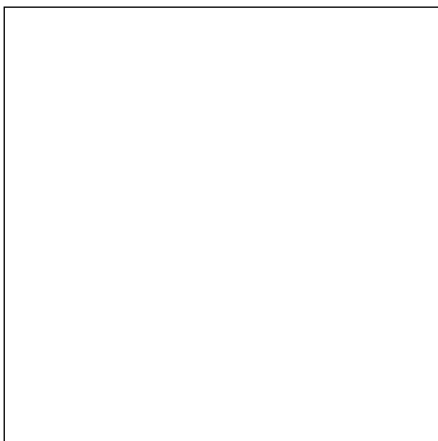
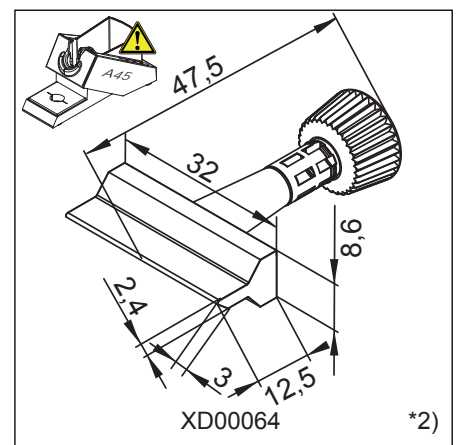
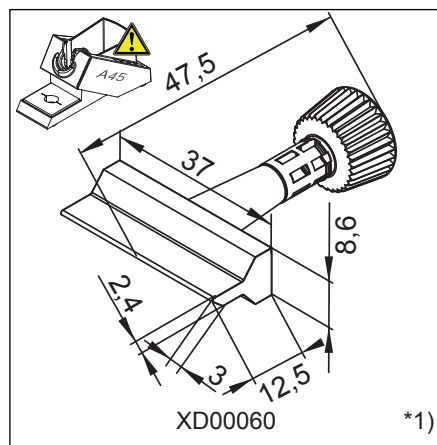
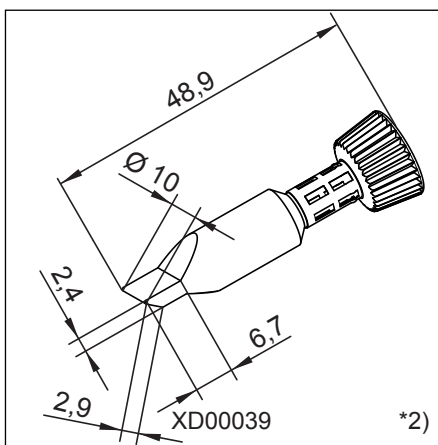
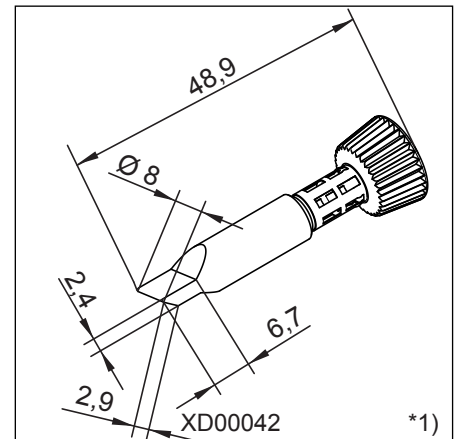
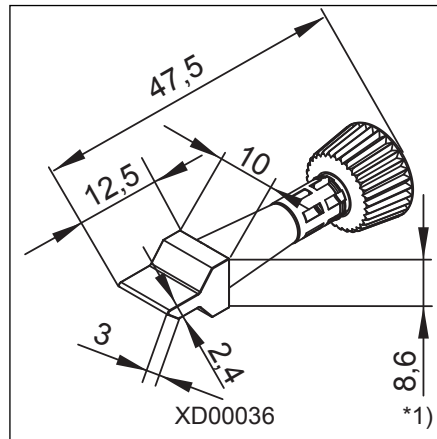
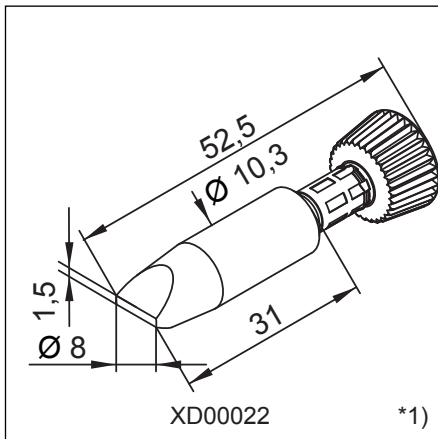


*1) design drawing complete and tip has been tested

*2) design drawing complete and tip has not been tested

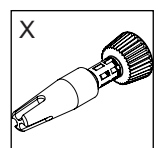
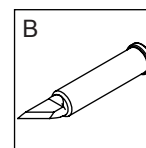
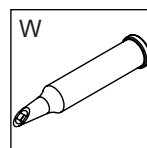
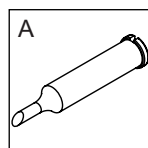
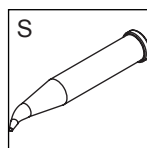
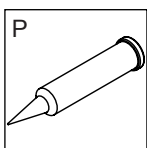


i-Tips C Special

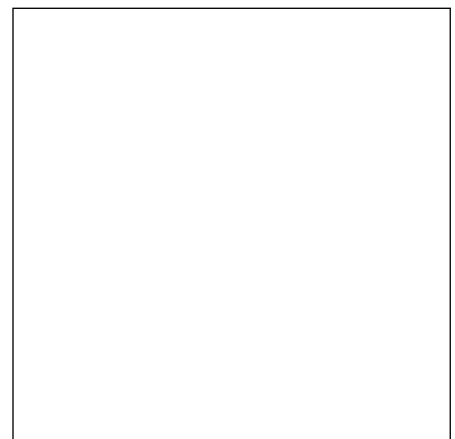
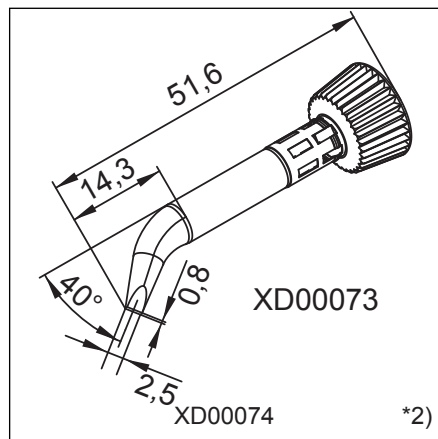
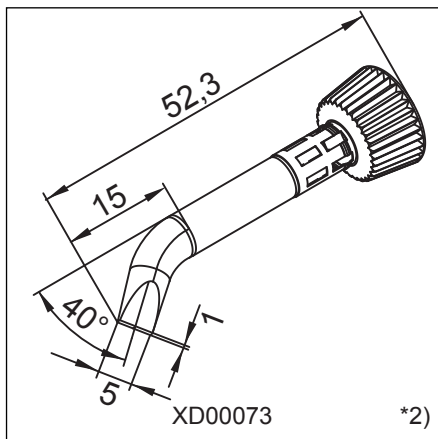
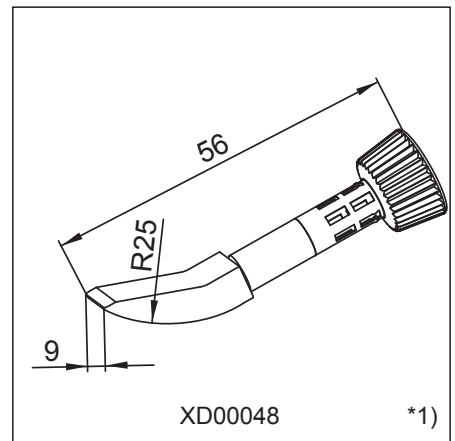
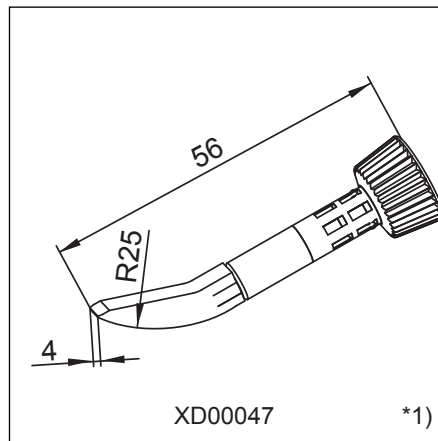
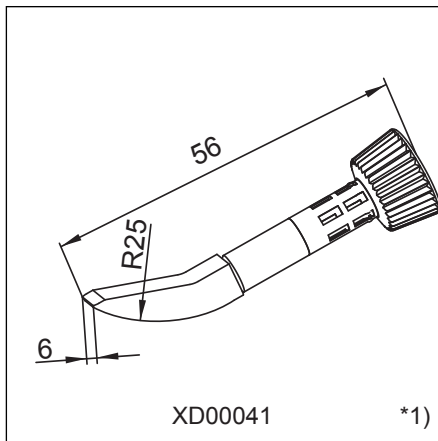
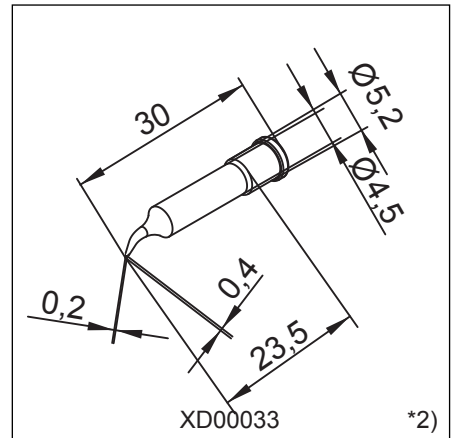
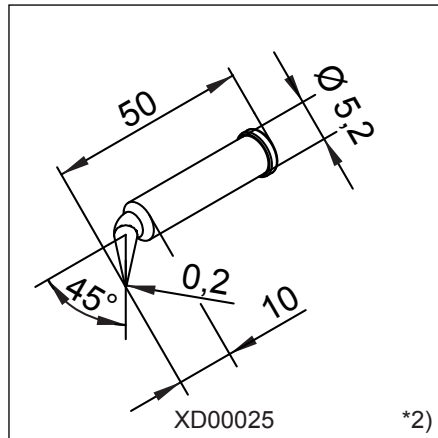
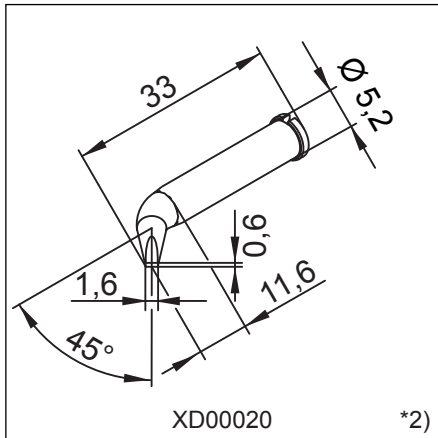


*1) design drawing complete and tip has been tested

*2) design drawing complete and tip has not been tested

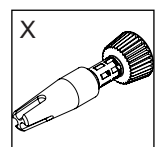
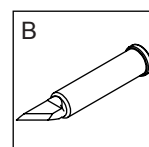
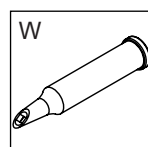
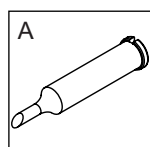
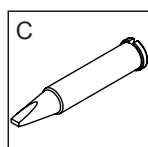
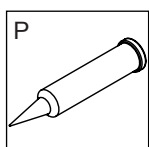


i-Tips S Special



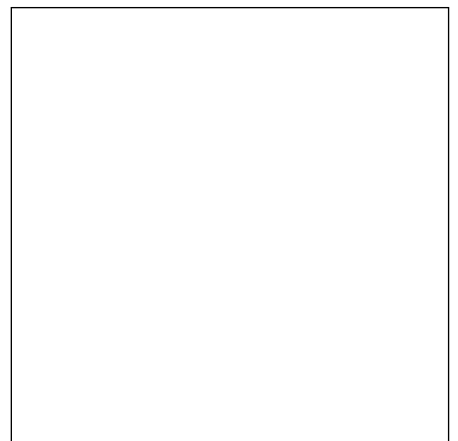
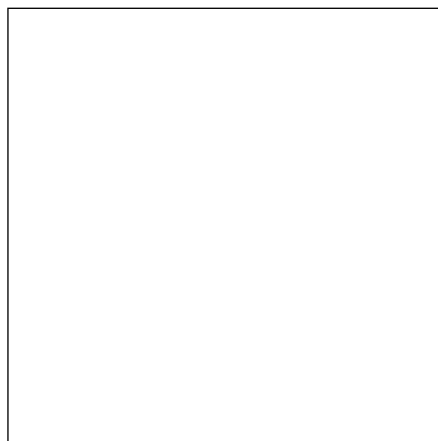
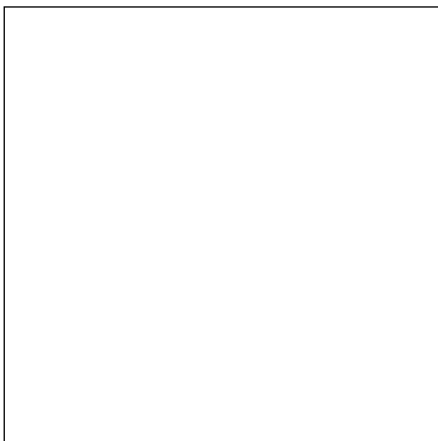
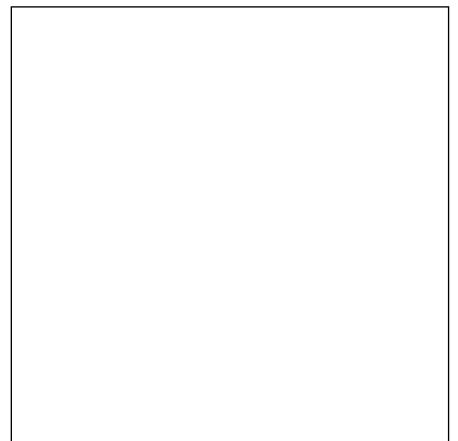
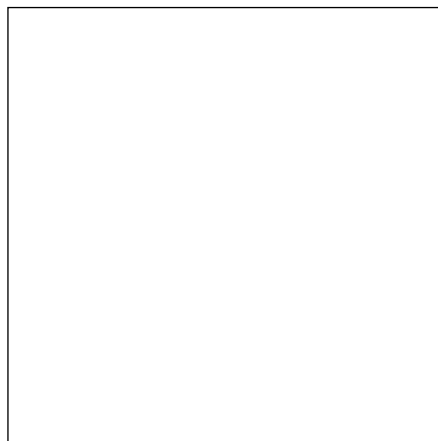
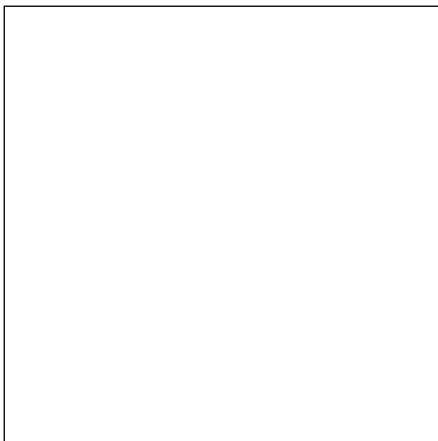
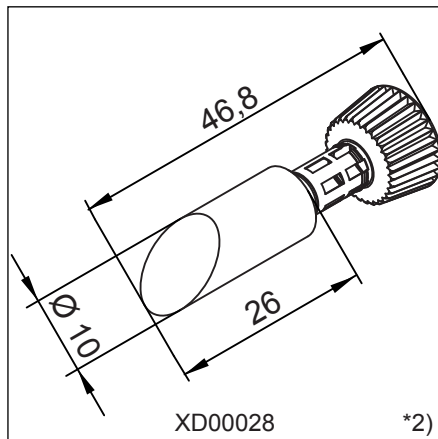
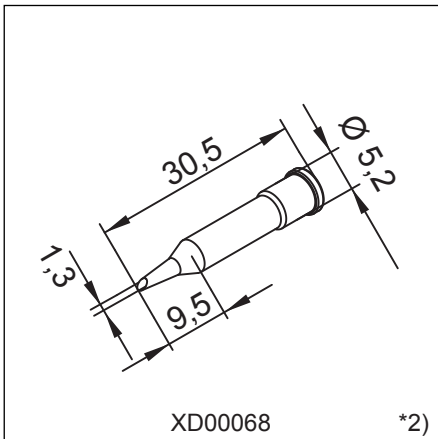
*1) design drawing complete and tip has been tested

*2) design drawing complete and tip has not been tested



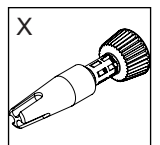
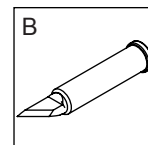
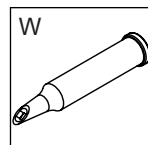
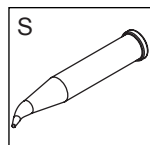
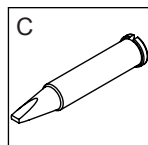
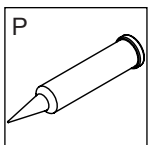
i-Tips A

Special



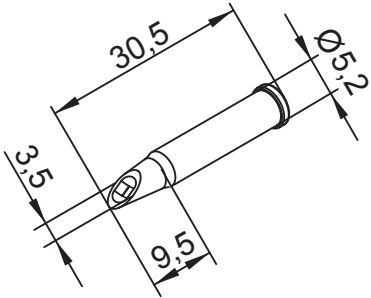
*1) design drawing complete and tip has been tested

*2) design drawing complete and tip has not been tested



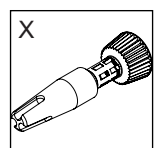
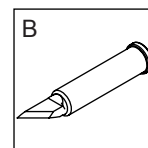
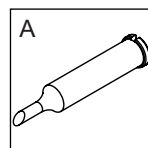
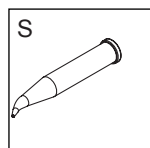
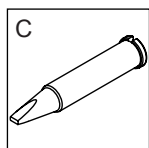
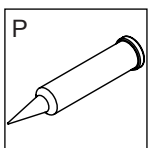
i-Tips W Special



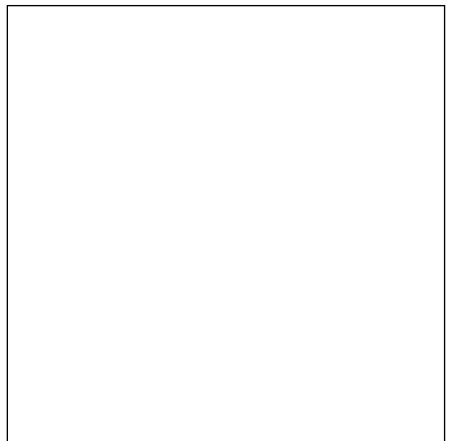
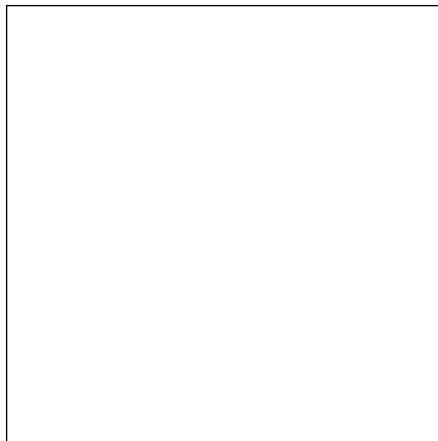
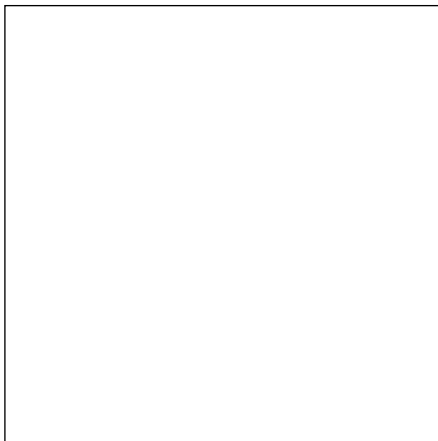
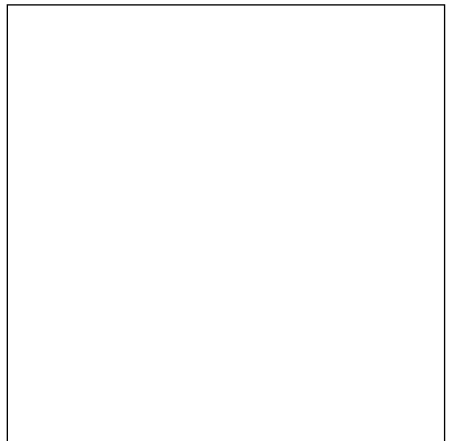
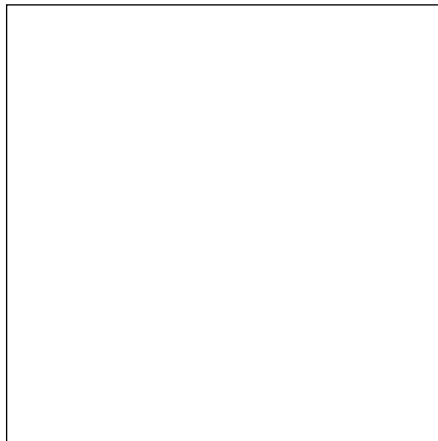
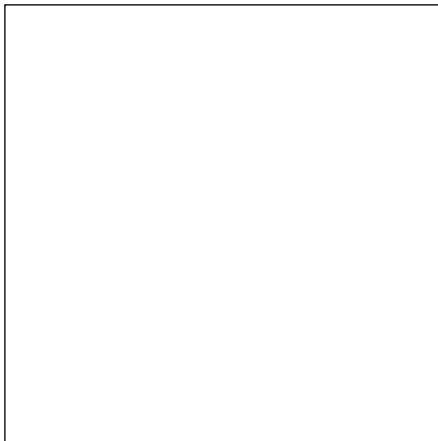
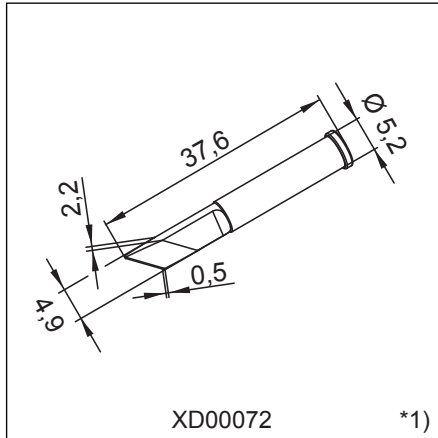
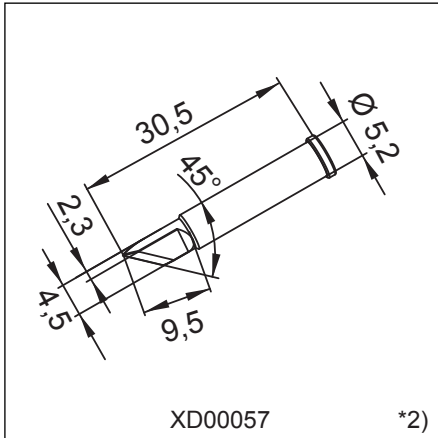
 <p>XD00032 *2)</p>		

*1) design drawing complete and tip has been tested

*2) design drawing complete and tip has not been tested

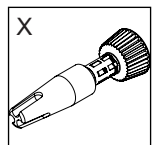
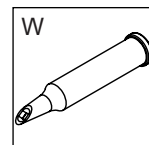
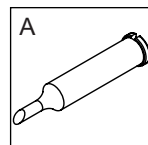
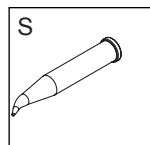
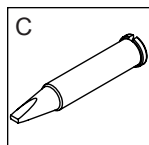
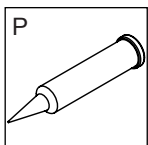


i-Tips B Special

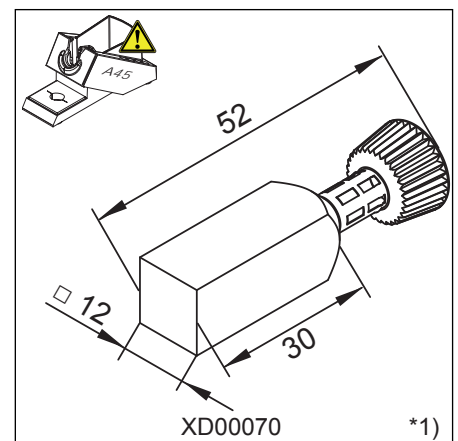
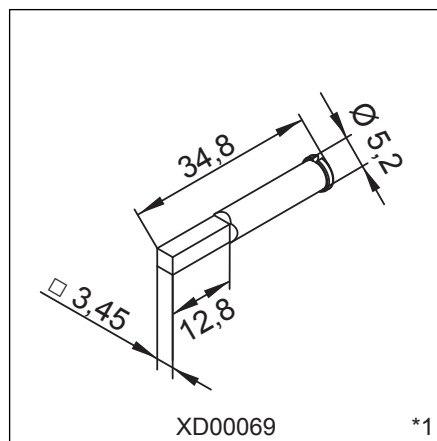
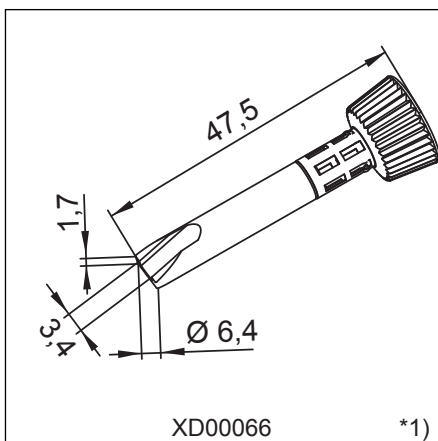
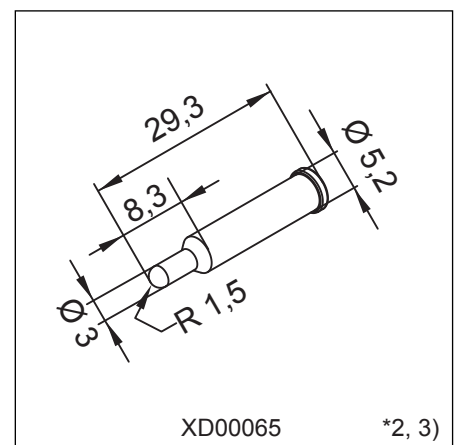
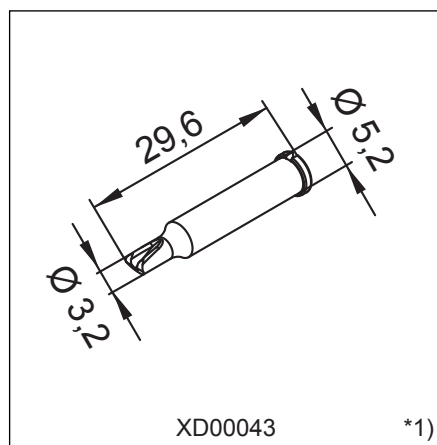
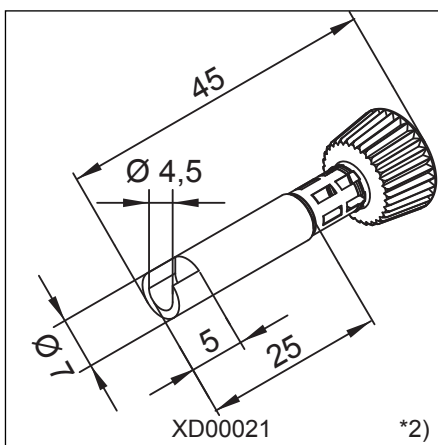
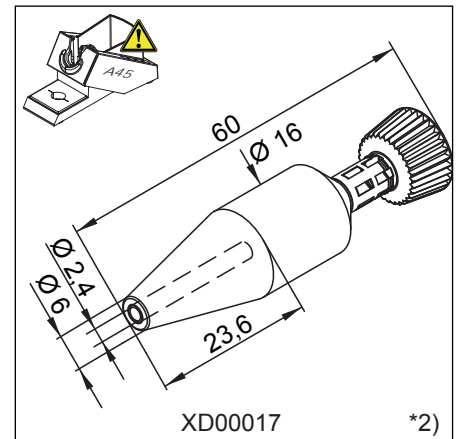
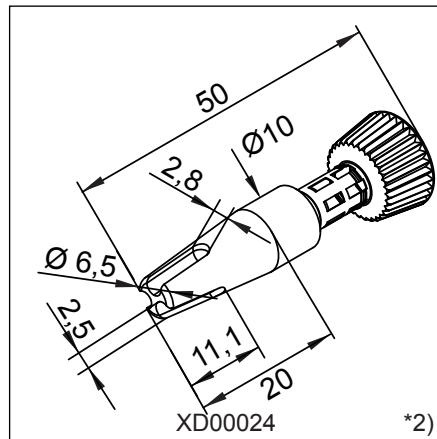
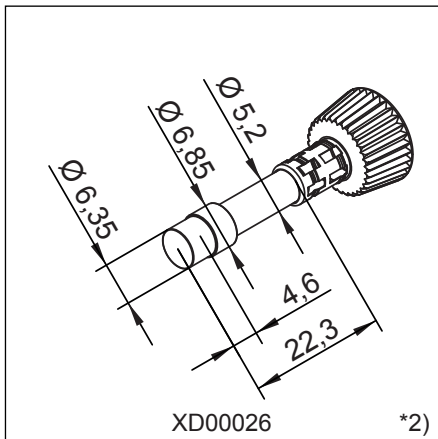


*1) design drawing complete and tip has been tested

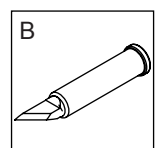
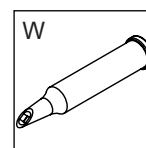
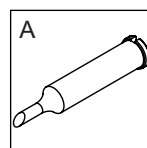
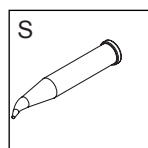
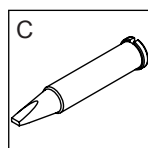
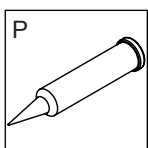
*2) design drawing complete and tip has not been tested



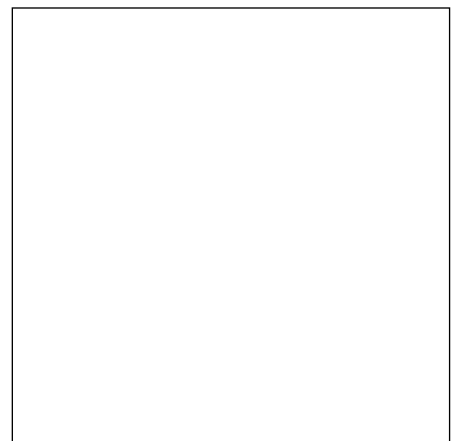
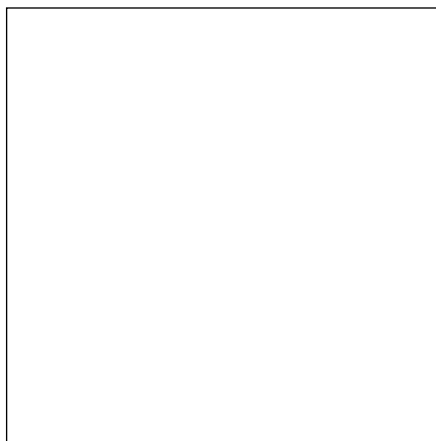
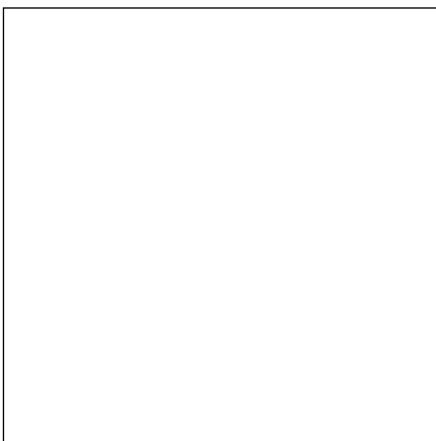
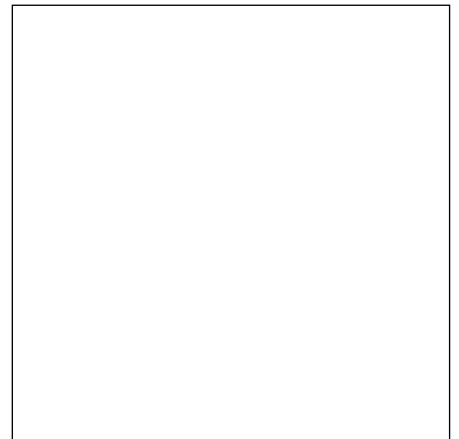
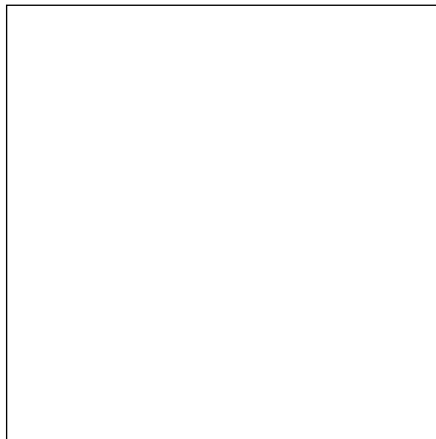
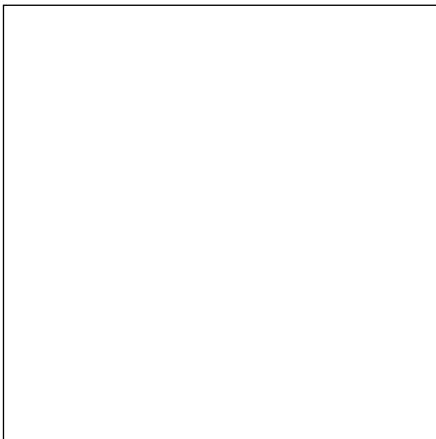
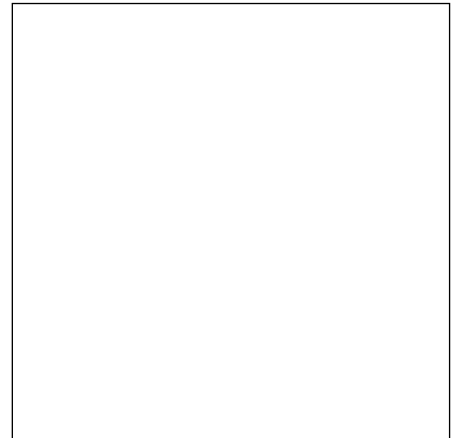
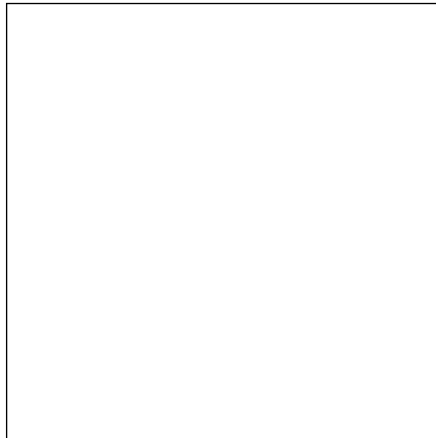
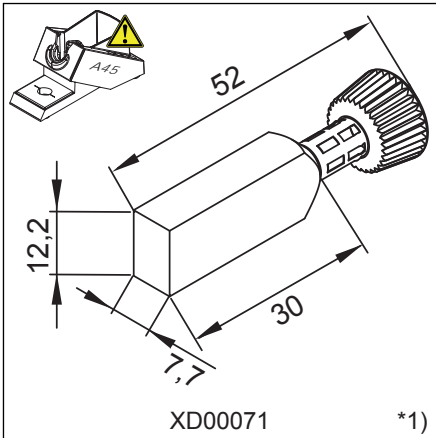
i-Tips X Special



- *1) design drawing complete and tip has been tested
- *2) design drawing complete and tip has not been tested
- *3) ball tip



i-Tips X Special



*1) design drawing complete and tip has been tested

*2) design drawing complete and tip has not been tested

